



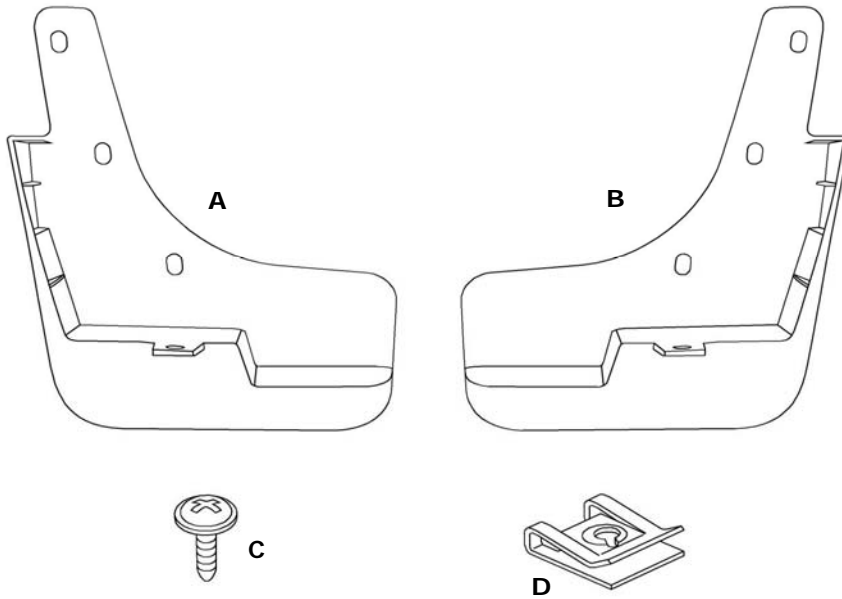
# GENUINE PARTS

## INSTALLATION INSTRUCTIONS

<b>DESCRIPTION:</b>	Splash Guard-Front
<b>APPLICATION:</b>	Rogue
<b>PART NUMBER:</b>	999J2 G2003

### KIT CONTENTS:

Item	Qty.	Part Description	Service Part Number
A	1	Splash Guard - Front Left	63855 4BA0A
B	1	Splash Guard - Front Right	63854 4BA0A
C	8	Phillips Screw M5 x 20mm	14-51 00891
D	2	Spring Clip	12-41 00771
E	1	Installation Instruction Replacement Template	999V2 AW000



**STOP** Important: Read Before Installation!

Dealer Installation Recommended.

**WARNING**

To avoid serious personal injury or property damage, obtain the Installation Instructions before attempting to install this accessory. The Installation Instructions provide the necessary procedures for a safe installation.

**CUSTOMER INTERNET DOWNLOAD INSTRUCTIONS:** Customers can obtain Installation Instructions for Infiniti or Nissan vehicles at [www.infiniti-techinfo.com](http://www.infiniti-techinfo.com) or [www.nissan-techinfo.com](http://www.nissan-techinfo.com) respectively. From the home page, click on "Inside Publications" and select Accessory Installations. Select your model and model year, then locate the Instructions for your accessory.

**DEALER ASSIST DOWNLOAD INSTRUCTIONS:** Dealership technicians can locate the Installation Instructions for this accessory in **ASIST/INFO TOOLBOX**. Always download and use latest version of the Installation Instructions.

Installation Instructions Replacement Template 999V2 AW000 Rev. 09/21/09

**E**

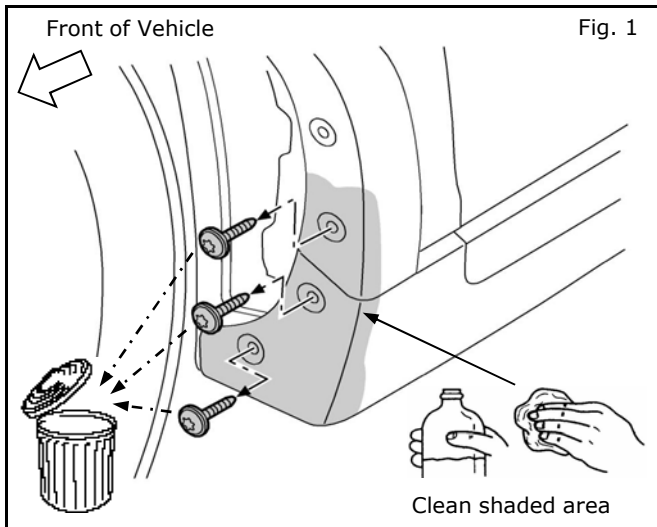
### TOOLS REQUIRED:

- T-20 Torx Head Screwdriver
- Phillips Head Screwdriver
- Mild soap / water mixture
- Clean Rag

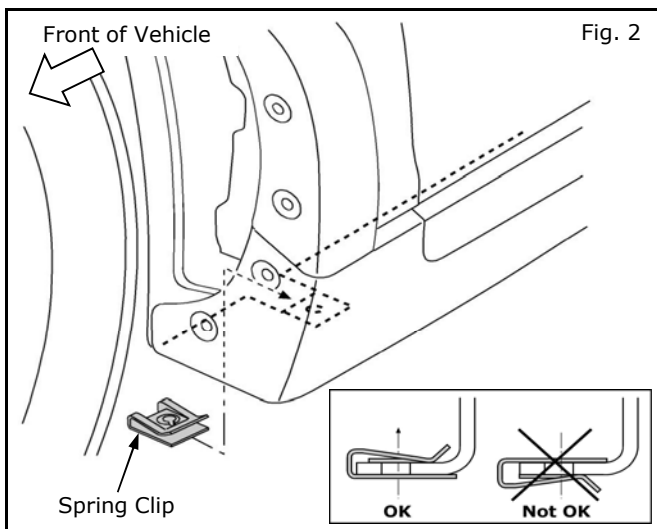
### PRE-INSTALLATION WARNINGS, CAUTIONS, CRITICAL STEPS and NOTES:

- These installation instructions are for the left side of the vehicle; the same procedure applies to the right side.
- Dealer Installation Recommended.

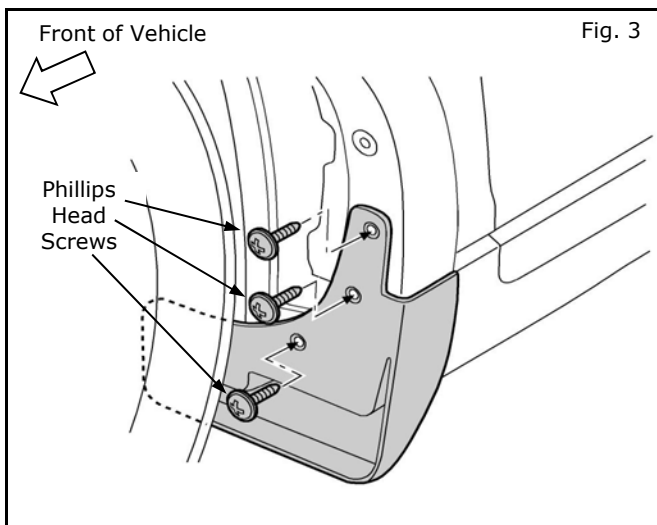
## INSTALLATION PROCEDURE:



- 1) Clean installation surface (shaded area) with mild soap/water mixture.
- 2) Remove three (3) screws and discard.



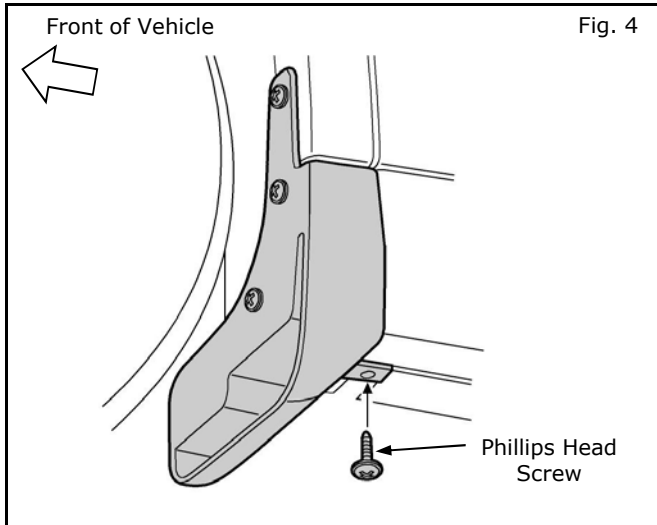
- 3) Install one (1) Spring Clip inside bottom of panel behind wheel well as shown.



- 4) Align splash guard to vehicle and loosely install three (3) new phillips head screws.

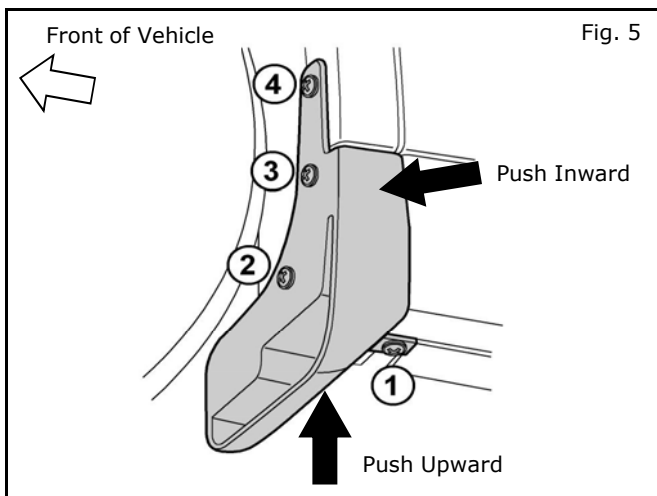
**Note:**  
**Do not tighten screws at this time.**

## INSTALLATION PROCEDURE:



- 5) Loosely install one (1) new phillips head screw underneath splash guard as shown.

**Note:**  
**Do not tighten screw at this time.**



- 6) Push splash guard upward and inward towards vehicle and tighten screws in sequence shown.

**Note:**  
**Do not over tighten screws.**  
**Reference Tighten Torque:**  
**3.8~4.4N-m {34~39 in-lb}**

- 7) Repeat for passenger side of vehicle